

THE BOX

- Product Part Number
- Product Description

INSIDE THE BOX

- 1 x Open-Area Sounder
- 2 x CR123A batteries
- 1 x Quick start guide

MOUNTING STEPS

Proceed as follows to complete the device installation.

IMPORTANT TO CONSIDER

When mounting a wireless device, a comprehensive radio survey should have been carried out to establish the location that provides the best coverage and optimum reach. Taking into consideration the building structure and materials, the survey identifies the wireless infrastructure required and product locations for optimum performance, identifying any factor that could prevent radio integrity.

Avoid fixing or mounting the unit close to the following:

- Equipment that utilises large electrical currents
- Large metal objects or structures
- Fluorescent lighting fittings
- Metal ceiling structures
- IT cabling.

Keep 2 meters minimum spacing between other wireless equipment in the area to avoid signal interference.

EN54 approved environmental temperature range is -10°C to +55°C

UNBOXING

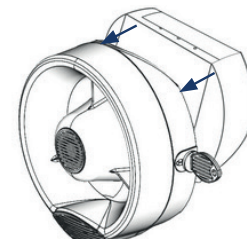
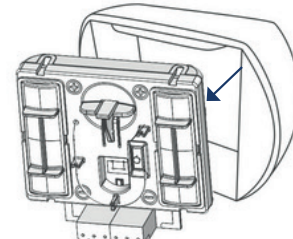
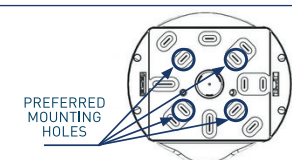
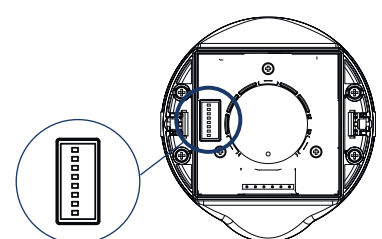
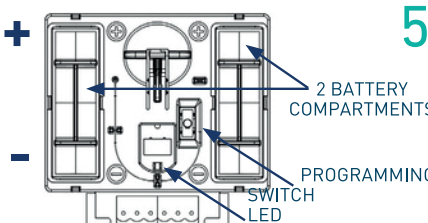
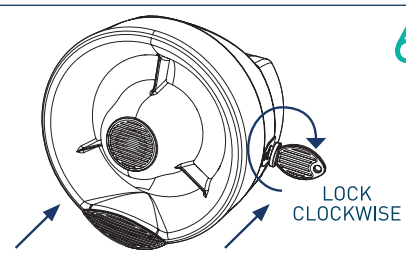
- When unboxing the sounder you will find the unit, its mounting base, a gasket and a security key.
- The device comes with pre-formed mounting mould to ensure ease of drilling.
- Security key prongs are fitted to protect against unwanted removal of the attached device.
- DIP switches are found inside the sounder to select your desired tone and volume.

For more information, please refer to the user manual. Available on apollo-fire.co.uk

Scan QR code for full user manual

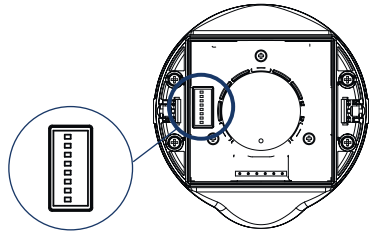


RW1500-210APO

<div style="text-align: right; font-size: 2em; color: teal; font-weight: bold;">1</div>  <p>Remove the mounting from the sounder by pulling apart the two pieces.</p>	<div style="text-align: right; font-size: 2em; color: teal; font-weight: bold;">2</div>  <p>Remove the sounder interface module from the base.</p>
<div style="text-align: right; font-size: 2em; color: teal; font-weight: bold;">3</div>  <p>PREFERRED MOUNTING HOLES</p> <ul style="list-style-type: none"> • Using a screwdriver, break out the pre-cuts of the base following your preferred directions for the wireless configuration. • Using a pencil, mark the holes on the desired surface you are drilling. • Use an appropriately sized drill bit (6 mm) to drill the marked screw locations on the chosen surface. • Be sure to use the correct fasteners for the type of surface you are mounting to. • Screw the base to the wall using all the fixing holes and countersunk head screws of suitable size. • Use the FOAM gasket to ensure IPX5 seal. • Insert the sounder interface module into the base locating the bottom tags and pushing back in. 	<div style="text-align: right; font-size: 2em; color: teal; font-weight: bold;">4</div>  <p>Use the DIP switch on the back of the sounder body to select tone and volume required [see next page].</p>
<div style="text-align: right; font-size: 2em; color: teal; font-weight: bold;">5</div>  <p>2 BATTERY COMPARTMENTS</p> <p>PROGRAMMING SWITCH LED</p> <ul style="list-style-type: none"> • Remove the battery compartment covers on the sounder interface module. • Ensure the switch in the base of the module is in position ON. • Fit the 2xCR123A batteries ensuring you have checked they are the correct way round observing the polarity indications on the base of the detector. • The LED's will signal once green then 4 times red. • Move the switch to position 1. 	<div style="text-align: right; font-size: 2em; color: teal; font-weight: bold;">6</div>  <p>LOCK CLOCKWISE</p> <ul style="list-style-type: none"> • Ensure you replace the battery cover as this forms part of the sounder anti-tamper protection. • Refit the sounder unit by pushing it back onto the base, push the key all the way in, turn both security fixings back to the locked position on both sides.

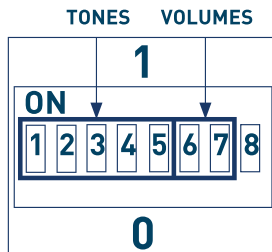
TONE AND VOLUME SELECTION

Use the DIP switch on the back of the sounder body to select tone and volume. Primary and secondary tone are selected according to panel setting.



DIP SWITCH NUMBER	DIP SWITCH GROUP FUNCTION	NOTES
1	TONE SELECTION	CHECK TONE SET TABLES
2		
3		
4		
5		
6	VOLUME SELECTION	CHECK VOLUME TABLE
7		
8	NOT USED	

VOLUME	DIP CONFIGURATION
HIGH	11
MEDIUM HIGH	01
MEDIUM LOW	10
LOW	00



Apollo Tone Pair Number	DIP Switch Value	Primary Tone (Evacuation)			Secondary Tone (Alert)		
		Temporal Pattern Icon	Temporal Pattern Description	Frequencies	Temporal Pattern Icon	Temporal Pattern Description	Frequencies
1*	0000		Apollo Fire Systems Evacuate Tone	660Hz for 0.5s, 925Hz for 0.5s		Apollo Fire Systems Alert Tone	1s off, 925Hz for 1s
2*	00001		Alternating warble (Hochiki & Fullen)	925Hz for 0.25s, 626Hz for 0.25s		Continuous (Hochiki & Fullen)	925Hz
3*	00010		Sweep (med) @ 1Hz	800Hz - 970Hz @ 1Hz		Continuous	970Hz Continuous (BS5839-1:2002)
4*	00011		Sweep (fast) @ 9Hz	2500Hz-2850Hz @ 9Hz		Continuous	2850Hz continuous
5*	00100		Netherlands - NEN 2575:2000 (Dutch Slow Whoop)	500 - 1200Hz for 3.5s, 0.5s OFF		Continuous	825Hz continuous
6*	00101		German DIN 33 404	1200Hz - 500Hz Sweep 1s (1Hz)		Continuous	825Hz Continuous
7*	00110		Swedish Fire Signal	660Hz 0.15s ON, 0.15s OFF		Swedish All Clear	660Hz Continuous
8	00111		Australia Fast-rise Sweep (AS1670.4-2004 Evacuation tone)	3x (500Hz - 1200Hz for 0.5s, 0.5s off), 1s off		Australia AS1670.4-2004 Alert tone	420Hz 0.625s ON, 0.625s OFF
9	01000		New Zealand Slow-rise Sweep Evacuation Tone (NZS 4512)	500Hz - 1200Hz, 3.75s Sweep, 0.25s OFF		New Zealand Alert Tone (NZS 4512)	420Hz 0.625s ON, 0.625s OFF
10	01001		US Temporal LF (ISO 8201) Low tone	3x(970Hz 0.5s ON, 0.5s OFF), 1s OFF		Continuous	970Hz Continuous
11	01010		US Temporal HF ISO 8201 High tone	3x(2850Hz 0.5s ON, 0.5s OFF), 1s off		Continuous	2850Hz continuous
12	01011		Simulated Bell - Continuous	827Hz for 16ms followed by 990Hz for 16ms.		Simulated Bell - Intermittent	827Hz for 16ms followed by 990Hz for 16ms for 1s then 1s off.
13	01100		Emergency Warning Siren	600Hz - 1200Hz 4s followed by 1200 - 600Hz 4s		Emergency Warning Siren All Clear	1200Hz Continuous
14	01101		France - AFNOR NF S 32 001	554Hz, 0.1s, 440Hz, 0.4s		Continuous	970Hz Continuous
15	01110		Australia Evacuation (AS7240-3)	520Hz, 0.5s ON, 0.5s OFF x 3, 1s OFF		Australia Alert (AS7240-3)	520Hz +/-5%, 0.5s ON, 3.5s OFF
16	10000		Silent Tone (Reach Wireless ONLY)	0Hz Continuous		Silent Tone (Reach Wireless ONLY)	0Hz Continuous

*EN 54-3 approved volume